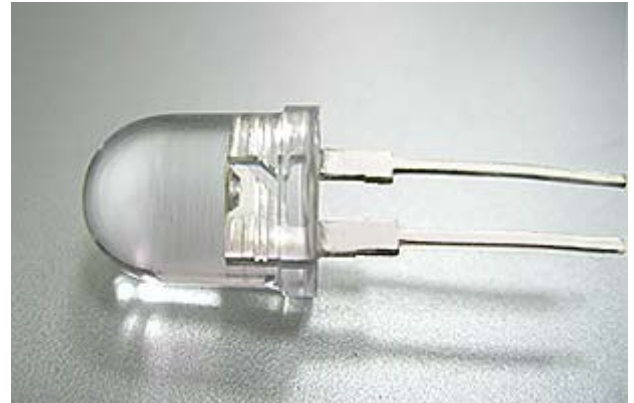
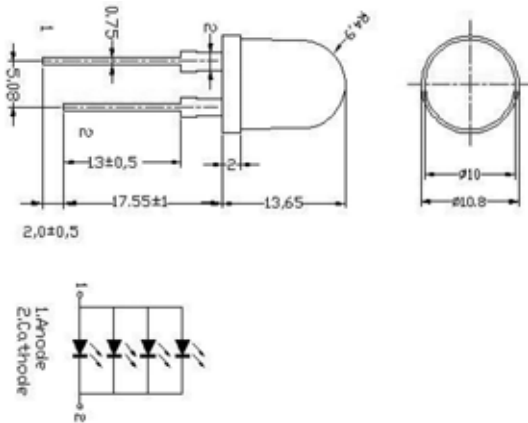


ARL-10080UWC4-80

Package Dimensions and Materials



Part No.	Lens Type Color	Source		Color tempera- ture	Forward Voltage Vf(V)	Luminous Flux(lm)	Viewing Angle(°)
		Dice Source	Color				
ARL-10080- UWC4-80	Water Clear	InGaN	White	6500—7500 K	3.0-3.8	18—25	80±5

Notes:

1. All dimensions units are millimeters
2. All dimensions tolerance is ± 0.1 mm unless otherwise noted
3. An epoxy meniscus may extend about 2.0mm Down the leads
4. Burr around bottom of epoxy may be 0.75mm Max..

Absolute Maximum Rating

Parameter	Symbol	Max. Rating	Units
Power Dissipation	PD	304	mW
Peak Forward Current (1/10 Duty Cycle 0.1ms Pulse Width)	IFP	160	mA
Reverse Voltage	VR	5	V
Reverse Current	IR	≤ 10	μ A
Operating Temperature	Topr	-40° ~ +80°	°C
Storage Temperature	Tstg	-40° ~ +100°	°C
Lead Soldering Temperature (5mm From The Base Of The Epoxy Bulb)	Tsol	260(≤ 5 s)	°C

Notes:

1. All dimensions are millimeters;
2. Tolerances are ± 0.1 mm unless otherwise specified.
3. Under the stipulated Characteristics parameters above, the life span of the LED is more than 20,000 hours.
4. The data on this specification is for reference only and the actual data is in accordance with the acknowledgment.
5. The above data are from our company's testing condition.